

# FPEC

FOOD PROCESSING EQUIPMENT CO.

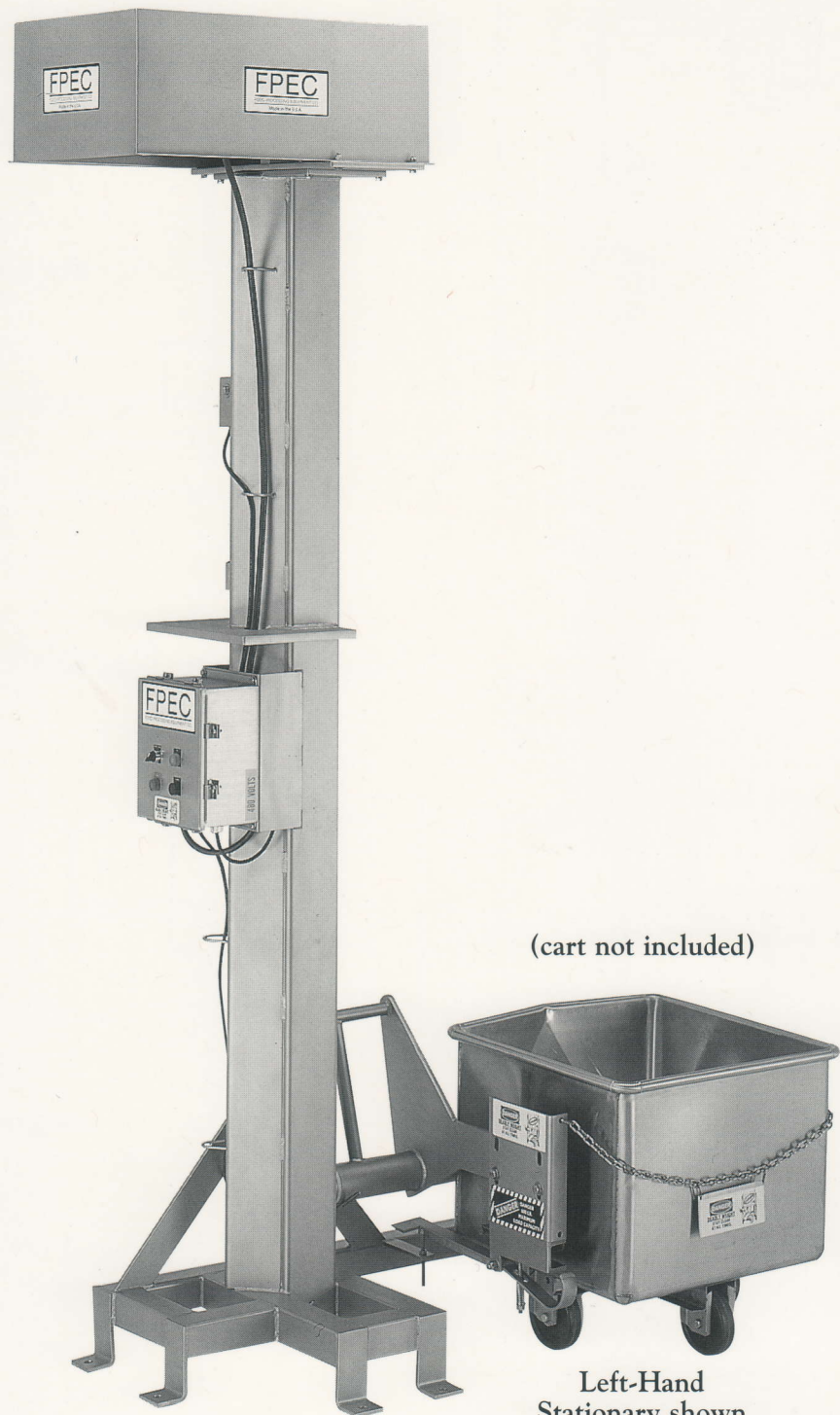
- Superior chain hoist lifting mechanism
- Available in portable or stationary models
- 83" dump height standard - other heights available
- Safety cages available
- 2 HP TEFC brake gearmotor
- Adjustable cart holding mechanism to allow for floor variations
- NEMA 4X electrical enclosure
- 100% T304 stainless steel fabrication
- Lower base is elevated for easy cleaning
- Adjustable pivot point for changing dump heights
- Adjustable lifting arms to allow for irregularities
- 220/440/575 volts available

2216 Ford Ave., Springdale, AR 72764  
(501) 751-9392 • Fax (501) 751-9399

13623 Pumice St., Santa Fe Springs, CA 90670  
(562) 802-3727 • Fax (562) 802-8621

<http://www.fpec.com>

## Meet the VL8 Cart Lift from FPEC



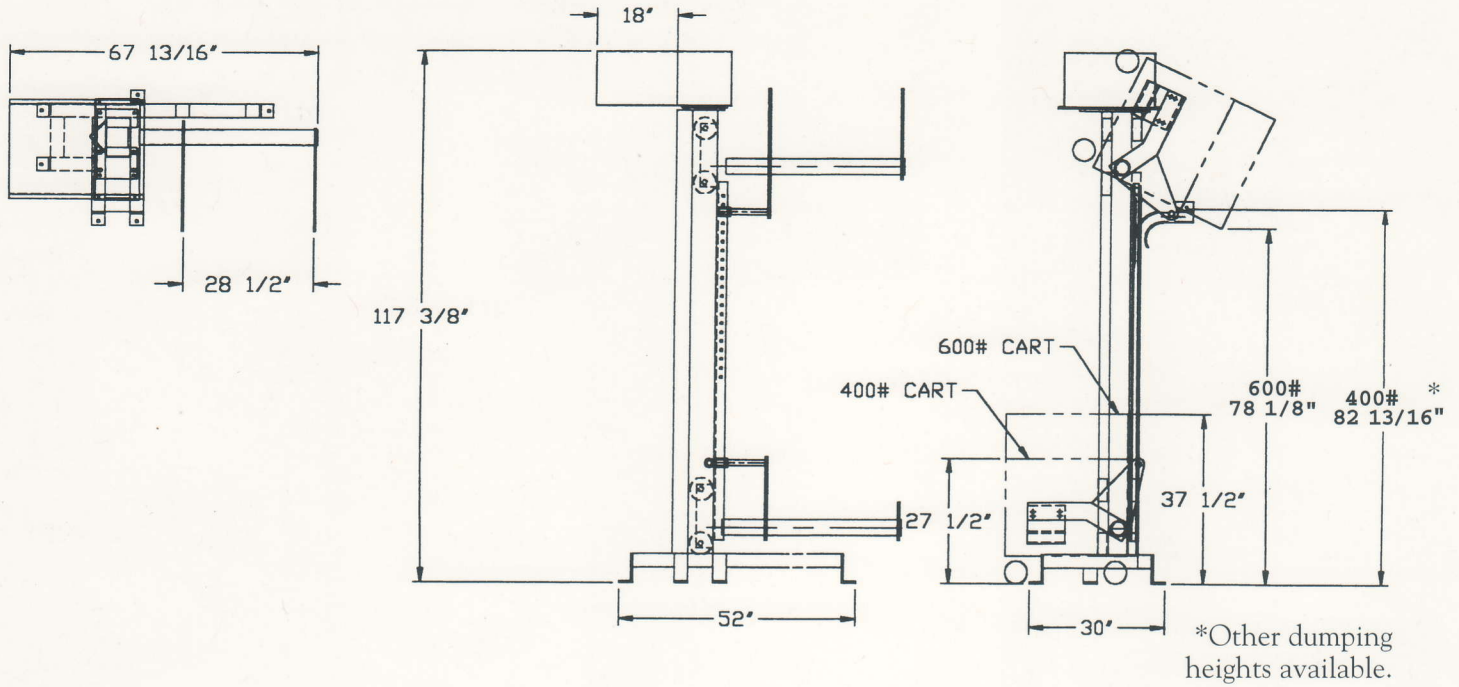
(cart not included)

Left-Hand  
Stationary shown  
(portable available)

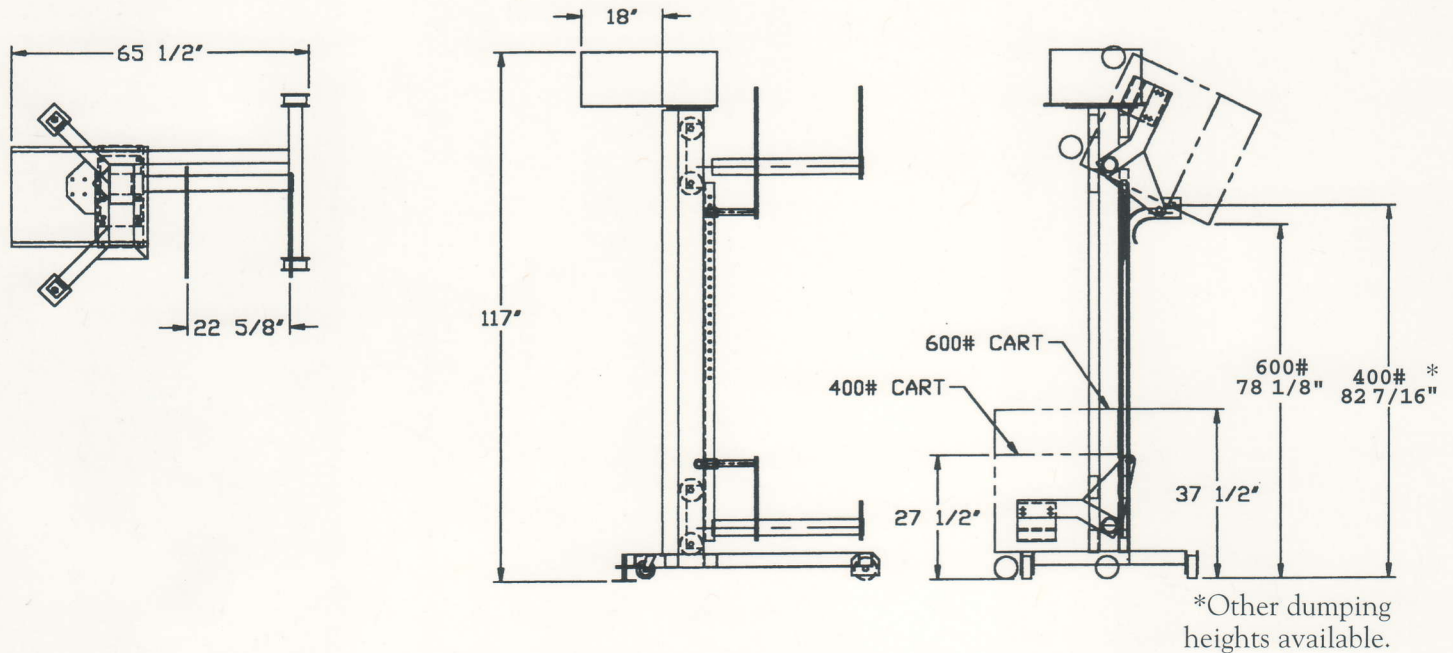
To increase production, FPEC offers the VL8 Cart Lift. Made of stainless steel, the VL8 Cart Lift offers adjustable lifting arms, pivot points and cart holding mechanism to allow for variations and irregularities. Available in portable or stationary models, we have a Cart Lift to meet your production needs.

**FPEC—A Company Built on Trust.**

## Standard — Stationary LEFT HAND



## Standard — Portable LEFT HAND



2216 Ford Ave., Springdale, AR 72764  
(501) 751-9392 • Fax (501) 751-9399

13623 Pumice St., Santa Fe Springs, CA 90670  
(562) 802-3727 • Fax (562) 802-8621

<http://www.fpec.com>